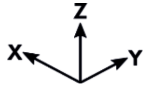
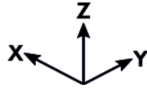


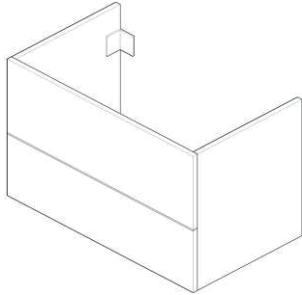
SIENA



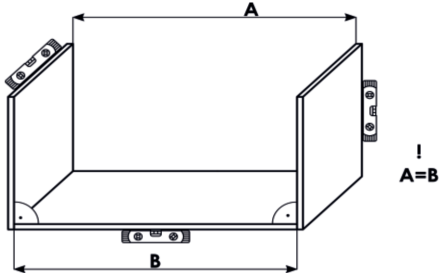
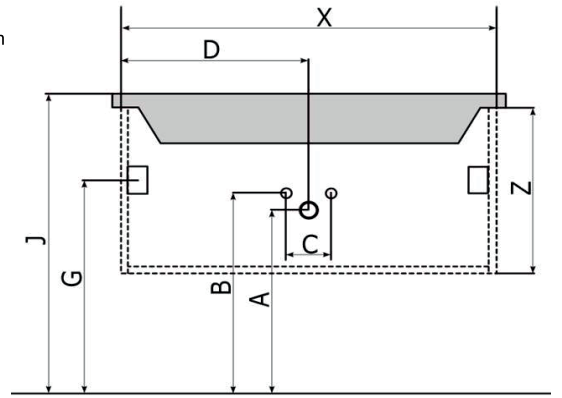
X: 0 mm
Y: 0 mm
Z: 0 mm



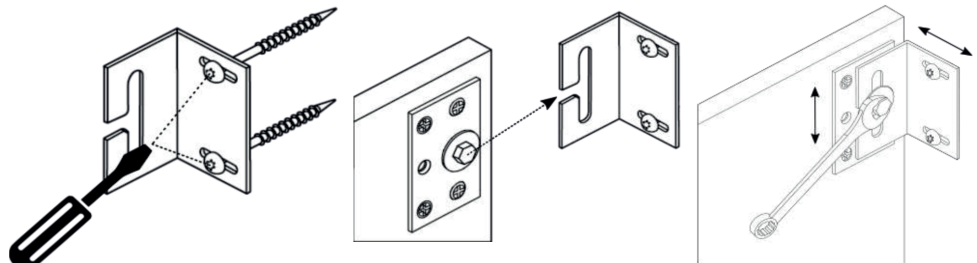
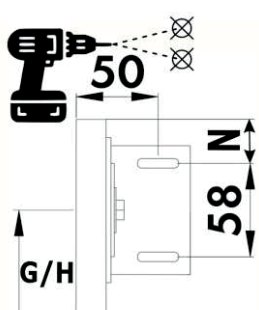
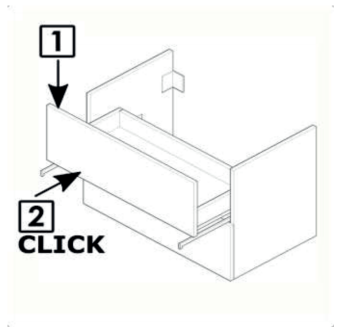
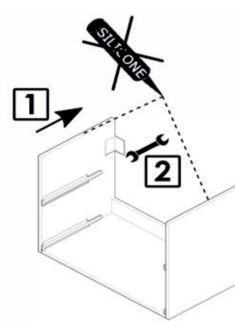
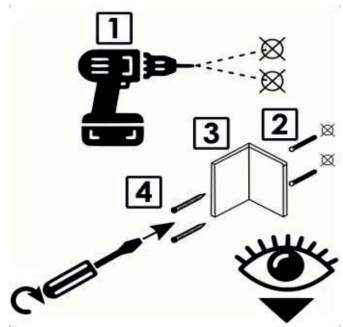
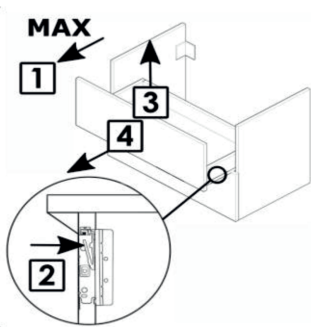
X: 590 mm
Y: 457 mm
Z: 548 mm

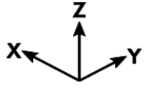


- A 560 mm
- B 610 mm
- C 80-120 mm
- D 295 mm
- E --- mm
- F --- mm
- G 700 mm
- H --- mm
- I --- mm
- J 860 mm
- M mm
- N 100 mm

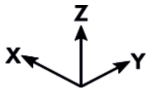


B





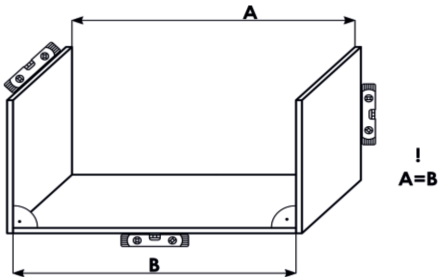
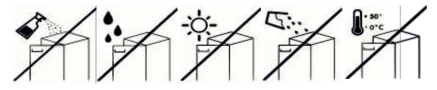
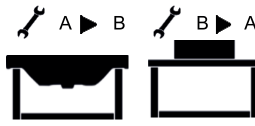
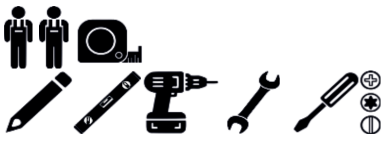
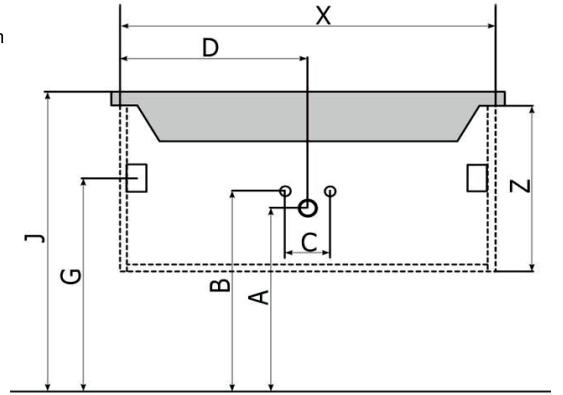
X: 0 mm
Y: 0 mm
Z: 0 mm



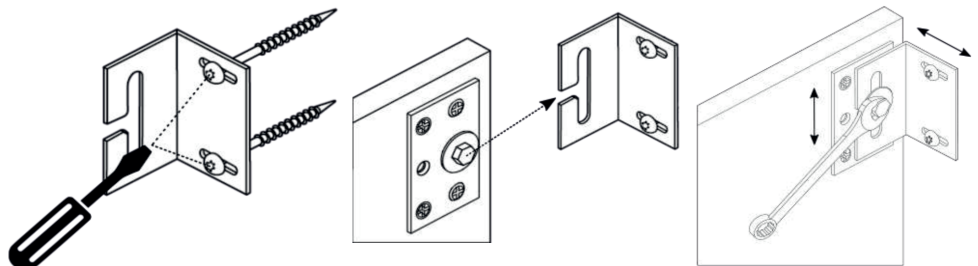
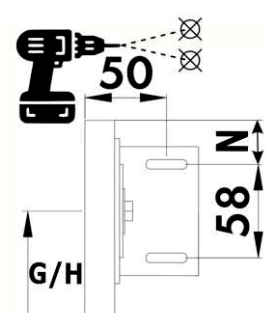
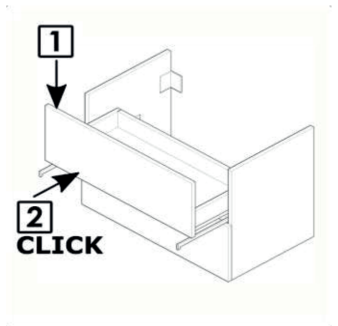
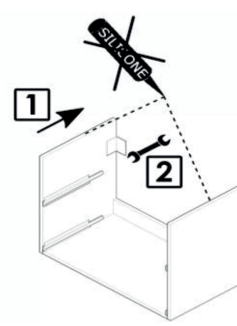
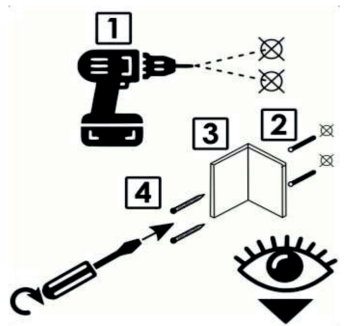
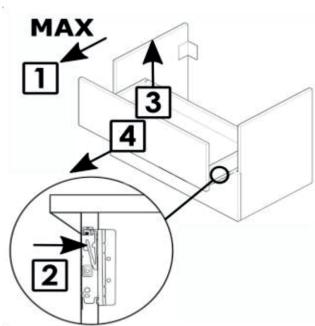
X: 800 mm
Y: 457 mm
Z: 548 mm

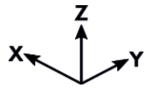


- A 560 mm
- B 610 mm
- C 80-120 mm
- D 400 mm
- E --- mm
- F --- mm
- G 700 mm
- H --- mm
- I --- mm
- J 860 mm
- M mm
- N 100 mm

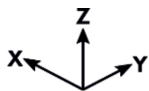


B



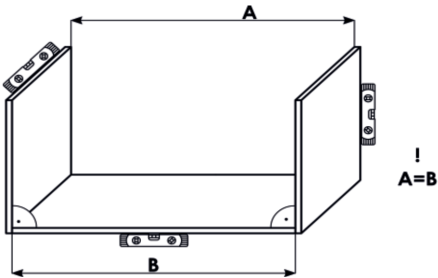
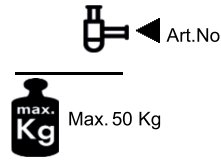
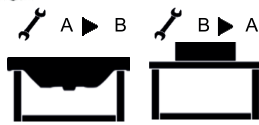
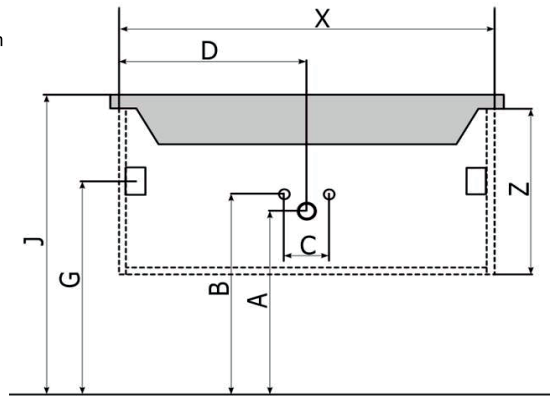


X: 0mm
Y: 0mm
Z: 0mm



X 990 mm
Y 457 mm
Z 548 mm

- A 560 mm
- B 610 mm
- C 80-120 mm
- D 495 mm
- E ---mm
- F ---mm
- G 700 mm
- H --- mm
- I ---mm
- J 860 mm
- M mm
- N 100 mm



B

